

# 废纸/纸板打包机 Paper/Carton Balers

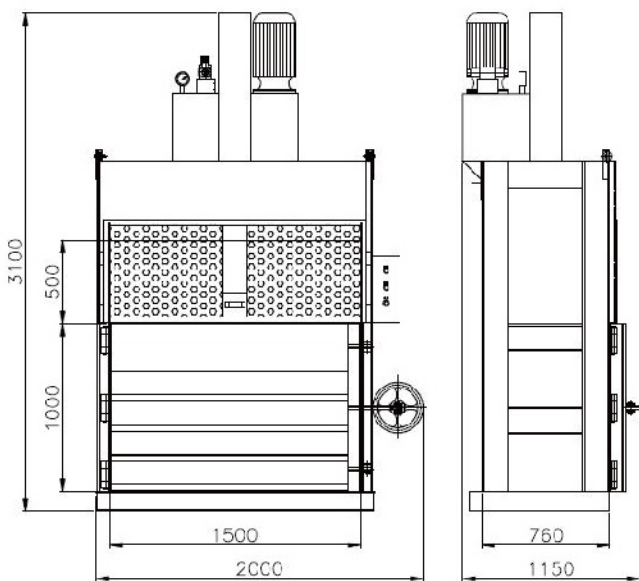
## 机器应用

专门用于废旧瓦楞纸箱，纸板，报纸等物料的回收压缩打包。

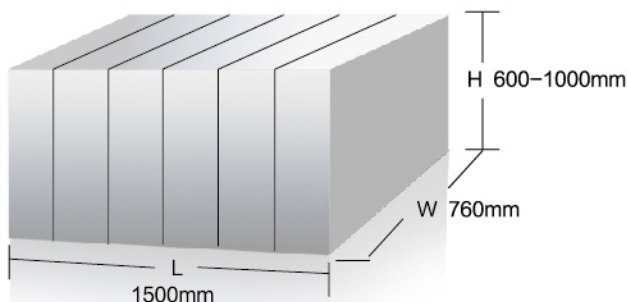
## Usage

Specially designed for recycling waste cardboards, cartons and newspaper etc. with wide feed opening door.

Diagram ( Model XTY-500LE15076 )



Bale Size ( Model XTY-500LE15076 )



## 参数 Specifications

型号	XTY-300LE11070	XTY-400LE12080	XTY-500LE15076	XTY-600LE180100
压力 Pressure	30tons	40tons	50tons	60tons
加料口尺寸 (L*H) Feed Opening Size (L*H)	1100*500mm	1200*500mm	1500*500mm	1800*550mm
压缩腔高度 Baling Chamber Height	1400mm	1500mm	1500mm	1600mm
包块尺寸 (L*W*H, H可调) Bale Size (L*W*H, H is adjustable)	1100*700*(500-900)mm	1200*800*(600-1000)mm	1500*760*(600-1000)mm	1800*1000*(350-1050)mm
包块重量 Bale Weight	150-250kgs	200-400kgs	300-500kgs	250-700kgs
功率 Power	5.5kw	7.5kw	11kw	15kw
机器重量 Machine Weight	1900kgs	2200kgs	2800kgs	3500kgs
机器外观尺寸 Machine Overall Dimension	1500*1050*2900mm	1600*1150*3000mm	2000*1150*3100mm	2260*1350*3520mm

## 机器特点

- 自动挂链出包，提高了工作效率
- 安全门垂直升降，操作方便，安全门不关闭，机器不启动，非常安全
- 采用开门停机设计，使机器更安全可靠
- 装配急停按钮，单独安装，位置醒目，使操作更安全
- 采用欧美标准的防弹门结构，能保护操作者的安全
- 装配自动平衡装置，避免因放置物料不当产生意外
- 采用日本进口NOK密封圈，使用寿命更长
- 采用日本A.M.C油管接头，确保不漏油
- 采用台湾进口叠加式阀组，安装体积小，维修方便
- 独特的电机和泵的直叉连接，保证泵和电机100%同心，替代了一般的联轴器联结方式，提高了泵的使用寿命



## Features

- Automatic chain bale ejector for quickly and easily ejecting the bales out from the machine
- Wide feed opening door lifts upwards automatically when the platen goes up
- The ram will stop running downwards when the feeding gate is opened which ensure the safety of the operation
- Equipped with independent emergency stop for safe operation
- Equipped with Euro and U.S standard anti-rebound gate structure which makes sure the safety of operation
- Special ram guides design makes the platen not slope because of uneven materials feedings during compression
- Equipped with NOK seals that from Japan means longer lifespan of the seals
- Equipped with A.M.C. oil pipe joints that from Japan ensures the machine far away from oil leakage problems
- Equipped with superimposed valves that from Taiwan, less space required for the installation
- Peculiar combination of motor and pump with direct-crossed connection makes sure 100 percent concentricity, which replacing the common coupling connection so that extend the lifespan of the pump